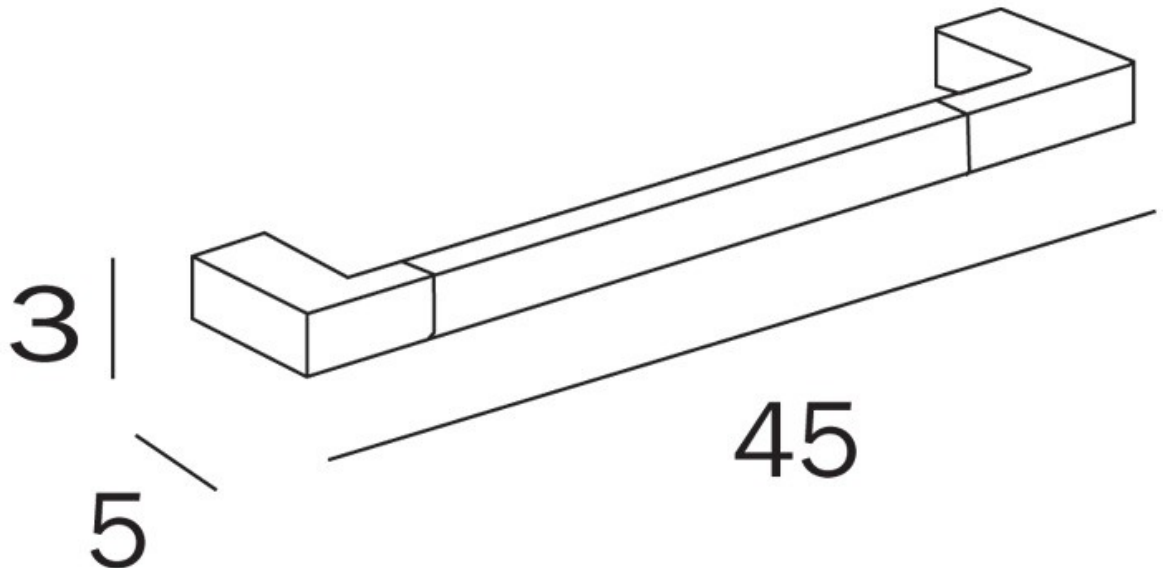


LOGIC
450mm GRAB BAR
(Chrome - A3395B)



Features:
Tested to AS 1428.1-2009 (+A1)
150kg load rating



Proudly imported and distributed by
Gro Agencies Pty Ltd
Unit 2 / 37 Howe St, Osborne Park, WA, 6017
P 08 9446 3288 E info@groagencies.com.au W www.groagencies.com.au

